

DOT 48

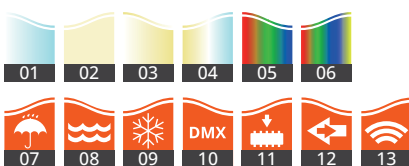
A vivid fusion of colours, A high purity of white, Extreme smooth chromatic transition due to automated DMX control system, Max 3w/dot for skyscraper outline, Dot spacing can be customized.



SPECIFICATION

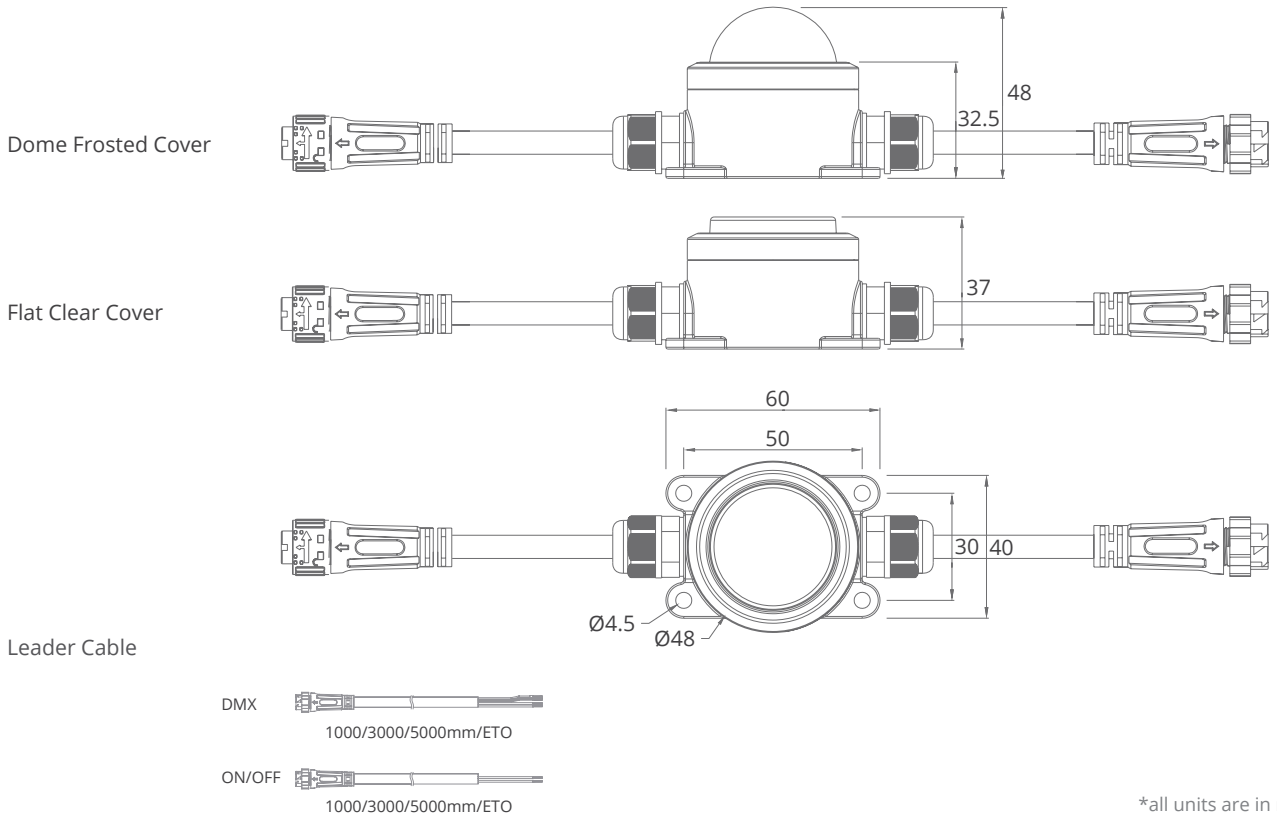
MODEL	COLOUR WAVE DOT 48
OPERATING VOLTAGE	24V DC
POWER CONSUMPTION	3W Max
LED TYPE	SMD
COLOUR TEMP OPTION	2700K 3000K, 4000K, 5000K, Tunable White, RGB, RGBW
PIXEL	25 Dots Per Connection, Max spacing 1000mm
CRI	80min
PRODUCT EFFICIENCY	69lm/W@3000K
FULL WIDTH AT HALF MAXIMUM (OPTICS)	120°
MATERIAL	Aluminum + PMMA Cover
AMBIENT OPERATING TEMPERATURE	-20°C ~ +55°C
LUMEN MAINTENANCE	50,000 hours/L70 at 25°C
DIMENSIONS	Ø48*48(H)mm(Frosted Dome Cover) Ø48*37(H)mm(Clear Flat Cover)
CABLE LENGTH	500mm
CONTROL SYSTEM	ON/OFF, DMX/RDM
MOUNTING TYPE	Surface
IP RATING	IP66

FEATURES & OPTIONS



- 01. CW
- 02. NW
- 03. WW
- 04. DW
- 05. RGB
- 06. RGBW
- 07. IP66
- 08. ANTI-SALINE
- 09. POLAR
- 10. DMX
- 11. RFU
- 12. RDM
- 13. WIRELESS DATA

DIMENSIONS



OPTIC SELECTION



LED	Lumens	Watts	Efficacy
WHITE	214.24	3.10	69.01

CenterBeamLux	Illuminance at Distance
72.24 lx	0.8 m
18.06 lx	1.7 m
8.03 lx	2.5 m
4.52 lx	3.3m
2.89 lx	4.2 m
2.01 lx	5.0 m

3000K

▪ Ver. Spread: 121.0° ▪ Horiz. Spread: 121.0°



LED	Lumens	Watts	Efficacy
RGBW	82.80	3.70	22.38
R	18.41	0.70	26.31
G	40.55	1.10	36.87
B	07.20	0.95	06.55
W	41.22	0.95	45.39

CenterBeamLux	Illuminance at Distance
16.65 lx	0.8 m
4.16 lx	1.7 m
1.85 lx	2.5 m
1.04 lx	3.3 m
0.67 lx	4.2 m
0.46 lx	5.0 m



▪ Ver. Spread: 128.2° ▪ Horiz. Spread: 128.3°